



## Main

Range of product	Modicon Quantum automation platform
Product or component type	Low voltage dc discrete input modules
Discrete input number	32

## Complementary

Group of channels	4
Logic input	Positive (sink)
Discrete input voltage	24 V DC
Input voltage limits	19.2...30 V
Voltage state 1 guaranteed	15...30 V DC
Voltage state 0 guaranteed	-3...5 V DC
Current state 1 guaranteed	$\geq 2$ mA at $U_s = 5.5$ V and $U_{in} = 0$ V
Current state 0 guaranteed	$\leq 0.5$ mA
Addressing requirement	2 input words
Input impedance	2500 Ohm
Leakage current	200 mA at $U_s = 5.5$ V and $U_{in} = 4$ V
Absolute maximum input	56 V during 1.3 ms decaying pulse 30 V continuous
Response time	$\leq 1$ ms from state 1 to state 0 $\leq 1$ ms from state 0 to state 1
Protection type	Input protection by resistor limited
Power dissipation	1.7 W + (0.36 x number of points on)
Isolation between group and bus	1780 Vrms for 1 minute
Isolation between group	500 Vrms for 1 minute
Local signalling	32 LEDs green input status 1 LED red external fault detected (F) 1 LED green bus communication is present (Active)
Marking	CE
Bus current requirement	330 mA
Module format	Standard
Product weight	0.3 kg

The information provided in this documentation contains general descriptions and/or technical characteristics of the performance of the products contained herein. This documentation is not intended as a substitute for and is not to be used for determining suitability or reliability of these products for specific user applications. It is the duty of any such user or integrator to perform the appropriate and complete risk analysis, evaluation and testing of the products with respect to the relevant specific application or use thereof. Neither Schneider Electric Industries SAS nor any of its affiliates or subsidiaries shall be responsible or liable for misuse of the information contained herein.

## Environment

Standards	CSA C22.2 No 142 UL 508
Product certifications	ABS BV C-Tick DNV GOST RINA RMRS
Resistance to electrostatic discharge	8 kV on air conforming to IEC 801-2 4 kV contact conforming to IEC 801-2
Resistance to electromagnetic fields	10 V/m 80...2000 MHz conforming to IEC 801-3
Ambient air temperature for operation	0...60 °C
Ambient air temperature for storage	-40...85 °C
Relative humidity	95 % without condensation
Operating altitude	<= 5000 m

## Offer Sustainability

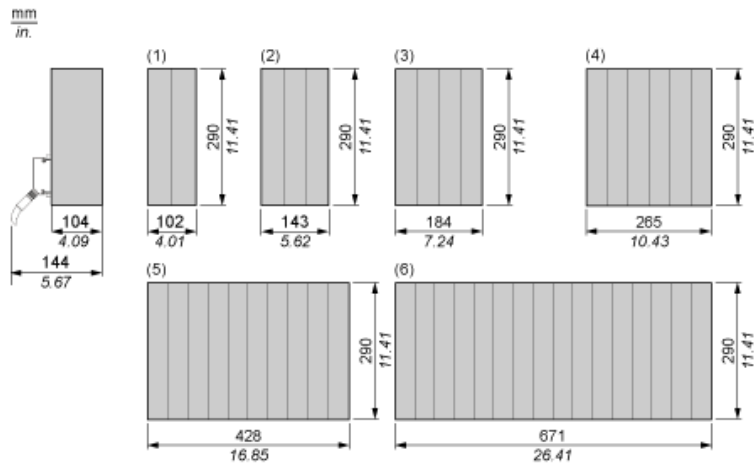
Sustainable offer status	Green Premium product
RoHS	Compliant - since 0846 - <a href="#">Schneider Electric declaration of conformity</a>
REACH	Reference not containing SVHC above the threshold
Product environmental profile	Available <a href="#">Download Product Environmental</a>
Product end of life instructions	Need no specific recycling operations

## Contractual warranty

Period	18 months
--------	-----------

Racks for Modules Mounting

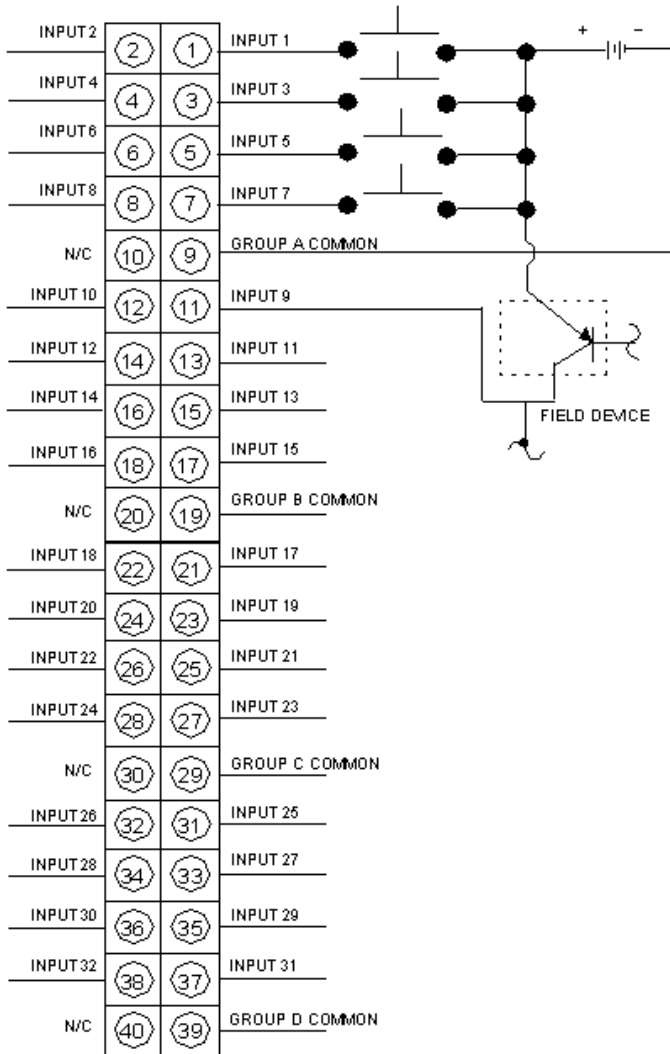
Dimensions of Modules and Racks



- (1) 2 slots
- (2) 3 slots
- (3) 4 slots
- (4) 6 slots
- (5) 10 slots
- (6) 16 slots

24 Vdc Discrete Input Sink Module

Wiring Diagram



N/C Not Connected