

Analog Actuator

Field of Application

EFKA controls AB221A, AB321A, AB222A, AB322A, DA321G, PF321A, AB211A, AB311A, and DA311G built in 2010 or later.

Not suitable for controls AB220A, AB320A, and DA320G.



The EB401 analog actuator, in combination with a pedal connected to the machine, controls machine operations (sewing) at various speeds, sewing foot lifting, and thread trimming.

It is almost infinitely variable: Its characteristic can be programmed to stageless, 12-stage, 24-stage, and 60-stage using parameters provided in the corresponding control.

The EB401 analog actuator is connected to the control by an approx. 1.6 m cable. The supplied mounting material ensures flexible mounting on the machine.

Functions

Pedal forward

- Pressing slightly forward causes the sewing foot to lower *).
- The sewing process starts when continuing to press forward. The sewing speed depends on the pedal position.
- With the pedal in position 0 (neutral) the drive is positioned in the selected basic position (functional position).

Pedal backward

- The sewing foot is lifted, when pressing the pedal slightly backward (with electromagnetic or electropneumatic sewing foot lifting). (At stop in the seam and also after the seam end *).
- The seam end (with e.g. stitch counting, backtacking, thread trimmer, etc. *) is initiated by full heelback.
- The sewing foot is lifted after the seam end *), when the pedal continues to be pressed.

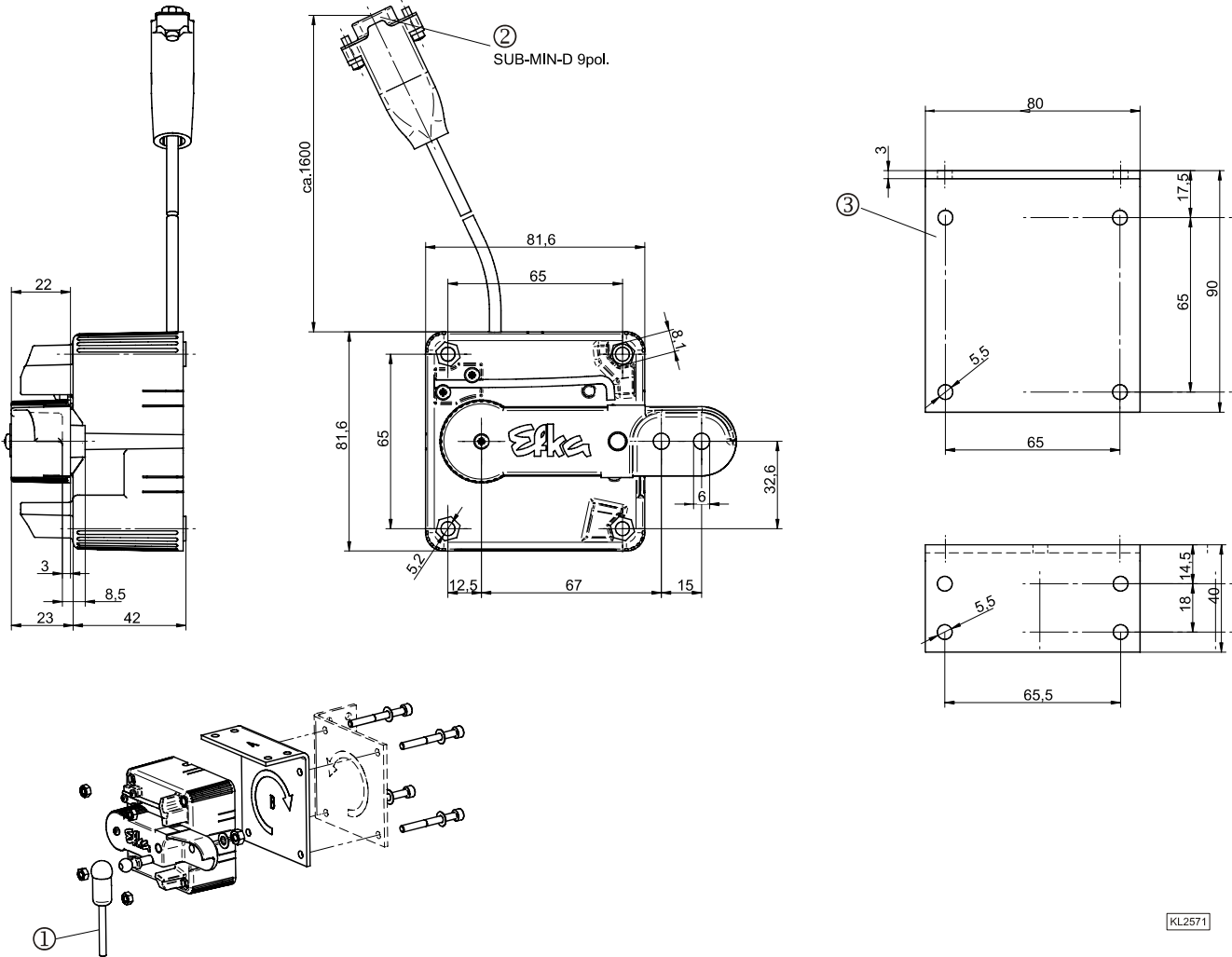
Scope of Supply	Material No.
Actuator, complete, type EB401 with approx. 1.6 m connecting cable and plug	4170028
Mounting bracket	0207159
Fastening elements	1113768

Special Accessories at an Additional Charge	Material No.
Extension cable approx. 1 m long	1113151
Pitman rod, complete (adjusting range approx. 400...710 mm)	1113810

Mechanical dimensions overleaf

*) According to the function selected using the corresponding parameter.

Mechanical dimensions



KL2571

①	Pitman rod
②	Plug (female)
③	Undertable mounting bracket (0207159)