

General Specifications

Models ALR111, ALR121
Serial Communication
Modules (for FIO)

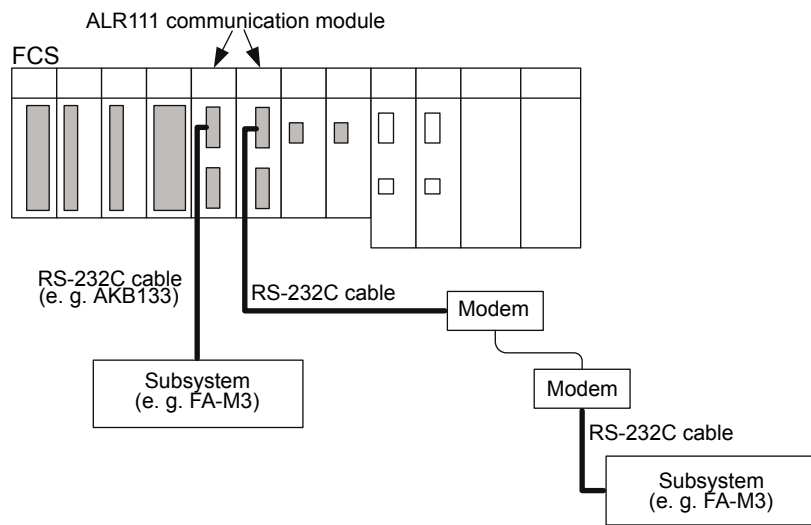


GS 33K50G10-50E

[Release 5]

■ GENERAL

This document describes about Models ALR111 and ALR121 Serial Communication Modules (for FIO) that a field control station (FCS) uses to perform serial communication with subsystems such as FA-M3. These serial communication modules can be mounted on field control units (AFV30□, AFV40□, AFV10□, and AFF50□), ESB bus node unit (ANB10□), optical ESB bus node unit (ANB11□), and ER bus node unit (ANR10□).



F01E.ai

Figure A Configuration Sample of the Serial Communication Modules

■ HARDWARE SPECIFICATIONS

The serial communication modules (ALR111 and ALR121) hardware specifications are as shown below.

Table Serial Communication Module Hardware Specifications

Item	Specifications	
	ALR111	ALR121
Model	ALR111	ALR121
Interface	RS-232C	RS-422/RS-485
Connection method	Point-to-point	Point-to-point (RS-422) Multipoint (RS-485)
Communication function	Half-duplex	
Synchronization method	Start-stop synchronization	
Transmission speed	1200/2400/4800/9600/19200/38400 bps (*1)	
Transmission code	ASCII/binary	
Character length	7/8 bits	
Stop bit length	1/2 bits	
Parity check	None/even/odd	
Lag time after data transmission	1 ms (The lag time to start receiving data again after data transmission.)	
Transmission distance	Maximum 15 m	Maximum 1200 m (total extended length)
Installation method	Mounted on ANB10□, ANB11□, ANR10□, AFF50□, AFV10□, AFV30□, or AFV40□	
I/O wiring	AKB131, AKB132, AKB133, AKB134 cables, etc.	Cable with 3-pair shield, AKB161, or AKB162
Wiring connection	D-sub-9-pin (female x 2)	Clamped with terminal block's M4 screws (5 poles x 2)
Current consumption	0.5A	
Weight	0.3 kg	0.3 kg

*1: The applicable transmission speed depends on the communication function, subsystems, and connection method.

An FCS collects data from subsystems or sets data with control calculations to subsystems using the builder functions by way of serial communication modules. A communication module selects only one communication function, thus two ports must have identical communication functions. It is not possible to select different communication function for every port. The communication functions and those transmission speeds for each communication module are as shown in the table below.

Table Communication Functions for Communication Modules

Communication function	ALR111	ALR121
FA-M3 communication	DR	DR
Modbus communication	DR	DR
MELSEC-A communication	DR	DR
YS communication with direct connection	NIL	SG
YS communication	NIL	SG
SLC500 communication	SG	SG
PLC-S communication	SG	SG

DR: Dual-redundant communication is applicable. SG: Only single communication is applicable. NIL: Not complied

Table Transmission Speed by the Communication Function

Communication function	Transmission speed (bps)
FA-M3 communication	1200/2400/4800/9600/19200/38400 (*1)
Modbus communication	1200/2400/4800/9600/19200
MELSEC-A communication	1200/2400/4800/9600/19200
YS communication (direct connection)	9600
YS communication	9600
SLC500 communication	1200/2400/4800/9600/19200
PLC-S communication	1200/2400/4800/9600/19200

*1: The transmission speed of 38400 bps is not available for some PC link modules.

■ OPERATING ENVIRONMENT

Hardware Requirements

The serial communication module runs on the following FCS.

AFV30S, AFV30D, AFV40S, AFV40D, AFV10S, AFV10D,
 AFS30S, AFS30D, AFS40S, AFS40D,
 AFG30S, AFG30D, AFG40S, AFG40D,
 AFG81S, AFG81D, AFG82S, AFG82, AFG83S, AFG83D, AFG84S, AFG84D,
 AFF50S, AFF50D

Software Requirements

The serial communication module runs on the control functions of the following FCS.

LFS1700 Control Function for Field Control Station (for AFV30□/AFV40□, Vnet/IP and FIO):
 for AFV30□/AFV40□
 LFS1500 Control Function for Field Control Station (for AFV10□, Vnet/IP and FIO): for AFV10□
 LFS1300 Control Function for Standard Field Control Station (for V net and FIO): for AFS30□/AFS40□
 LFS1330 Control Function for Enhanced Field Control Station (for V net and FIO):
 for AFG30□/AFG40□/AFG8□□
 LFS1350 Control Function for Compact Field Control Station (for V net and FIO): for AFF50□

Engineering Requirements

Works on LHS5100/LHMS5100 Standard Builder Function.

■ INSTALLATION ENVIRONMENT

LFS1700 Control Function for Field Control Station (for AFV30□/AFV40□)

No. of ALR111/ALR121/ALE111/ALP111 or ALP121/AGS813/AGP813 modules	Max. 8 units/FCS (Max. 4 pairs for dual-redundant operation) (*1)
No. of ALF111 modules	Max. 30 units/FCS (Max. 15 pairs for dual-redundant operation)
No. of all the communication modules	Max. 30 modules/FCS (*1) (*2)
I/O data capacity for communication	1000 words/ALR111, 1000 words/ALR121
No. of communication definition	128 definitions/ALR111, 128 definitions/ALR121
No. of communication functions	Max. 8 types/FCS (*1) (*3)
Communication I/O data capacity	Max. 8000 words/FCS (incl. data from other communication function)

*1: ALP111 and ALP121 cannot be mounted on the same FCS together.

*2: This is the sum of ALR111, ALR121, ALE111, ALF111, ALP111 or ALP121, AGS813, and AGP813 modules.

*3: This is the sum of communication functions of ALR111, ALR121, ALE111, and ALP111 or ALP121.

LFS1700 Control Function for Field Control Station (for AFV30□/AFV40□) + LFS1750 Node Expansion Package (for 10 nodes)

No. of ALR111/ALR121/ALE111/ALP111 or ALP121/AGS813/AGP813 modules	Max. 16 units/FCS (Max. 8 pairs for dual-redundant operation) (*1)
No. of ALF111 modules	Max. 32 units/FCS (Max. 16 pairs for dual-redundant operation)
No. of all the communication modules	Max. 48 modules/FCS (*1) (*2)
I/O data capacity for communication	1000 words/ALR111, 1000 words/ALR121
No. of communication definition	128 definitions/ALR111, 128 definitions/ALR121
No. of communication functions	Max. 8 types/FCS (*1) (*3)
Communication I/O data capacity	Max. 8000 words/FCS (incl. data from other communication function)

*1: ALP111 and ALP121 cannot be mounted on the same FCS together.

*2: This is the sum of ALR111, ALR121, ALE111, ALF111, ALP111 or ALP121, AGS813, and AGP813 modules.

*3: This is the sum of communication functions of ALR111, ALR121, ALE111, and ALP111 or ALP121.

LFS1700 Control Function for Field Control Station (for AFV30□/AFV40□) + LFS1750 Node Expansion Package (for 14 nodes)

No. of ALR111/ALR121/ALE111/ALP111 or ALP121/AGS813/AGP813 modules	Max. 32 units/FCS (Max. 16 pairs for dual-redundant operation) (*1)
No. of ALF111 modules	Max. 64 units/FCS (Max. 32 pairs for dual-redundant operation)
No. of all the communication modules	Max. 64 modules/FCS (*1) (*2)
I/O data capacity for communication	1000 words/ALR111, 1000 words/ALR121
No. of communication definition	128 definitions/ALR111, 128 definitions/ALR121
No. of communication functions	Max. 8 types/FCS (*1) (*3)
Communication I/O data capacity	Max. 8000 words/FCS (incl. data from other communication function)

*1: ALP111 and ALP121 cannot be mounted on the same FCS together.

*2: This is the sum of ALR111, ALR121, ALE111, ALF111, ALP111 or ALP121, AGS813, and AGP813 modules.

*3: This is the sum of communication functions of ALR111, ALR121, ALE111, and ALP111 or ALP121.

LFS1500 Control Function for Field Control Station (for AFV10□)

No. of ALR111/ALR121/ALE111/ALP111/AGS813/AGP813 modules	Max. 8 units/FCS (Max. 4 pairs for dual-redundant operation)
No. of ALF111 modules	Max. 30 units/FCS (Max. 15 pairs for dual-redundant operation)
No. of all the communication modules	Max. 30 modules/FCS (*1)
I/O data capacity for communication	1000 words/ALR111, 1000 words/ALR121
No. of communication definition	128 definitions/ALR111, 128 definitions/ALR121
No. of communication functions	Max. 4 types/FCS (*2)
Communication I/O data capacity	Max. 4000 words/FCS (incl. data from other communication function)

*1: This is the sum of ALR111, ALR121, ALE111, ALF111, ALP111, AGS813, and AGP813 modules.

*2: This is the sum of communication functions of ALR111, ALR121, ALE111, and ALP111.

LFS1500 Control Function for Field Control Station (for AFV10□) + LFS1550 Node Expansion Package (for AFV10□)

No. of ALR111/ALR121/ALE111/ALP111/AGS813/AGP813 modules	Max. 16 units/FCS (Max. 8 pairs for dual-redundant operation)
No. of ALF111 modules	Max. 32 units/FCS (Max. 16 pairs for dual-redundant operation)
No. of all the communication modules	Max. 48 modules/FCS (*1)
I/O data capacity for communication	1000 words/ALR111, 1000 words/ALR121
No. of communication definition	128 definitions/ALR111, 128 definitions/ALR121
No. of communication functions	Max. 4 types/FCS (*2)
Communication I/O data capacity	Max. 4000 words/FCS (incl. data from other communication function)

*1: This is the sum of ALR111, ALR121, ALE111, ALF111, ALP111, AGS813, and AGP813 modules.

*2: This is the sum of communication functions of ALR111, ALR121, ALE111, and ALP111.

LFS1300 Control Function for Standard Field Control Station (for AFS30□/AFS40□)

No. of ALR111/ALR121/ALE111 modules	Max. 6 units/FCS (Max. 3 pairs for dual-redundant operation)
Communication I/O data capacity	1000 words/ALR111, 1000 words/ALR121
No. of communication definition	128 definitions/ALR111, 128 definitions/ALR121
No. of communication functions	Max. 4 types/FCS (*1)
Communication I/O data capacity	Max. 4000 words/FCS (incl. data from other communication function)

*1: This is the sum of communication functions of ALR111, ALR121, and ALE111.

LFS1330 Control Function for Enhanced Field Control Station (for AFG30□/AFG40□/AFG8□□)

No. of ALR111/ALR121/ALE111/ALP111/AGS813/AGP813 modules	Max. 16 units/FCS (Max. 8 pairs for dual-redundant operation)
Communication I/O data capacity	1000 words/ALR111, 1000 words/ALR121
No. of communication definition	128 definitions/ALR111, 128 definitions/ALR121
No. of communication functions	Max. 4 types/FCS (*1)
Communication I/O data capacity	Max. 4000 words/FCS (incl. data from other communication function)

*1: This is the sum of communication functions of ALR111, ALR121, ALE111, and ALP111.

LFS1350 Control Function for Compact Field Control Station (for AFF50□)

No. of ALR111/ALR121/ALE111/ALP111/AGS813/AGP813 modules	Max. 8 units/FCS (Max. 4 pairs for dual-redundant operation)
Communication I/O data capacity	1000 words/ALR111, 1000 words/ALR121
No. of communication definition	128 definitions/ALR111, 128 definitions/ALR121
No. of communication functions	Max. 4 types/FCS (*1)
Communication I/O data capacity	Max. 4000 words/FCS (incl. data from other communication function)

*1: This is the sum of communication functions of ALR111, ALR121, ALE111, and ALP111.

● Installations to the ER Bus Node Unit (*1) (*2)

No. of ALR111/ALR121/ALE111/ALF111/ALP111 modules: Max. 8 units

- *1: Mounting on the ER bus node unit is applicable when the FCS's main memory is 32 Mbyte or more and EB401 firmware revision is R3 or later.
- *2: Field control units (AFV30□ and AFV40□) do not support ER bus node unit (ANR10□).

■ SUBSYSTEM COMMUNICATIONS

The serial communication module communicates with subsystems at the specified intervals and stores the subsystem data in the communication modules' I/O image area. FCS accesses the communication module asynchronously from them, and refers to or sets the I/O images. This enables FCS to use the subsystem data through the I/O terminals of the function block in the same way as the general analog and digital I/O signals.

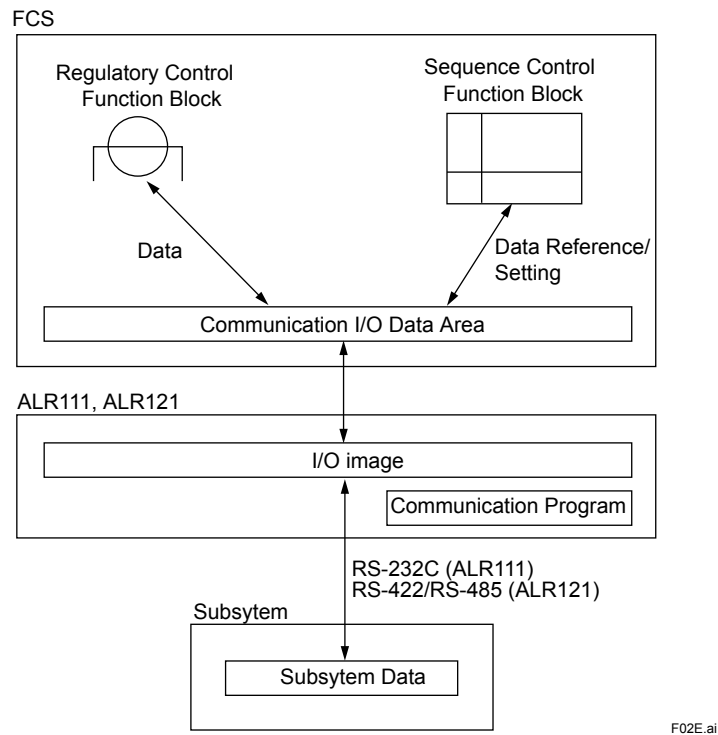


Figure Flow of Data in a Subsystem

■ COMMUNICATION FUNCTIONS

● FA-M3 Communication

Connected device: Personal computer link module
 F3LC11-1N, F3LC11-2N (FA-M3)
 LC01-0N, LC02-0N (FA500)

Connection method: Connect a personal computer link module with ALR111 or ALR121 communication port.

Applicable device: FA-M3, FA500

Transmission protocol: FA-M3 dedicated control protocol

No. of subsystem stations: Max. 30 stations/port

Table List of Applicable Devices

Device type	Device name	Communication capacity (per communication)	Read	Write
Bit device	Input relay	64 words	Y	N
	Output relay		Y	Y
	Internal relay		Y	Y
	Shared relay		Y	Y
	Link relay		Y	N
	Special relay		Y	N
	Time up relay		Y	N
	Count up relay		Y	N
Word device	Decrementing timer current value	64 words	Y	Y
	Incrementing timer current value		Y	Y
	Timer set value		Y	N
	Decrementing counter current value		Y	Y
	Incrementing timer current value		Y	Y
	Counter set value		Y	N
	Data register		Y	Y
	File register (*1)		Y	Y
	Shared register		Y	Y
	Index register (*2)		Y	Y
	Link register		Y	N (*3)
Special register	Y	N		
Special device	Communication time	1 word	Y	N
	Communication status		Y	N

Y: Applicable

N: Not applicable

*1: As for FA500, this is equivalent to the common register.

*2: This device is for FA-M3.

*3: FA-M3 is able to write data to other link devices than the one assigned to the local station; however, the data will be overwritten upon refreshing by other stations.

● **Modbus Communication**

Connected device: Serial transmission interface module

Connection method: Connect an ALR111 or ALR121 module communication port with serial transmission interface module

Applicable devices: By Yokogawa - STARDOM FCN, FCJ, and GC1000 Mark II (*1)

By Schneider Electric - Modicon484, 584, 584L, 884, 984, 984A, 984B, 984X, and Micro 84

By Yasukawa Electric - Memocon-SC U84, 584, 684H, 694H, R84H-M, GL60S, and GL20

Transmission protocol: Modbus protocol (RTU mode)

No. of subsystem stations: Max. 30 stations/port

*1: The communication with GC1000 Mark II is enabled via ASGW, and the number of port available for communication is one.

Table List of Applicable Devices

Device type	Device name	Communication capacity (per communication)	Read	Write
Bit device	Coil	125 words	Y (*2)	Y
	Input relay		Y	N
	Link relay (*1)		Y (*2)	Y
	Step status (*1)		Y	N
Word device	Input register	125 words	Y	N
	Maintenance register		Y (*2)	Y
	Constant register (*1)		Y (*2)	Y
	Step passing time (*1)		Y	N
	Link register (*1)		Y (*2)	Y
	Enhanced register (*1)		Y (*2)	Y
Other device	4-byte register	1 word	Y	N
	Specific coil		Y	N
	Communication status		Y	N

Y: Applicable

N: Not applicable

*1: These devices are for Memocon-SC GL60S.

*2: Data may not be readable depending on the functional codes.

● MELSEC-A Communication

Connected device: MELSEC-A computer link unit
 AJ71C24-S8/S6/S3, AJ71UC24, A1SJ71UC24-R2/R4/PRF, A1SJ71C24-R2/R4/PRF,
 A1SCPUC24-R2, A2CCPUC24 (PRF)

Connection method: Connect a computer link unit with ALR111 or ALR121 communication ports

Applicable devices: MELSEC-A CPU unit

(A communication with FCS can be established with if a CPU is connectable with MELSEC-A computer link unit.)

Transmission protocol: MELSEC-A dedicated control protocol format 4

No. of subsystem stations: Max. 30 stations/port

Table List of Applicable Devices (*1)

Device type	Device name	Communication capacity (per communication)	Read	Write
Bit device	Input/output relay	32 words (512 points)	Y	Y
	Internal relay		Y	Y
	Latch relay		Y	Y
	Step relay		Y	Y
	Link relay		Y	Y
	Annunciator		Y	Y
	Special relay		Y	Y
	Timer (contact, coil)		Y	Y
	Counter (contact, coil)		Y	Y
Word device	Timer (current value)	64 words	Y	Y
	Counter (current value)		Y	Y
	Data register		Y	Y
	Link register		Y	Y
	File register		Y	Y
	Special register		Y	Y
Other device	Communication status	1 word	Y	N

Y: Applicable

N: Not applicable

*1: For the communication with MELSEC-Q or QnA, it is possible to access the same device range as MELSEC-A via A-compatible communication mode. Access to the MELSEC-Q and QnA devices shown below is not applicable. Edge relay, accumulated timer (contact, coil, current value), special link relay, special link register, direct input, direct output, index register, file register, extended file register, latch relay, and step relay.

● **YS Communication with Direct Connection (for ALR121 only)**

Connected device: YS instruments (YS1000 SERIES and YS100 SERIES)

Connection method: ALR121 communication port is connected with YS instruments via RS-485 cable. (*1)

*1: Set the YS instrument control cycle as 100 ms.

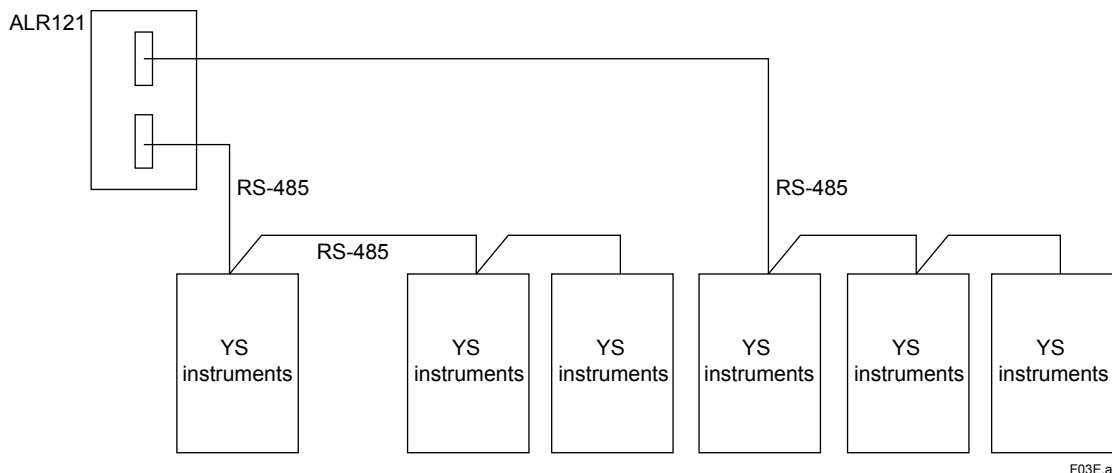


Figure Hardware Connection Diagram

Table List of Applicable YS Instruments and Data types

YS instruments	Fast-scan data	Slow-scan data (*1)
YS150/YS1500, YS170/YS1700 Single loop mode or auto-selector mode	LS1, PV1, SV1, MV1	MH1, ML1, PB1, TI1, TD1
YS150/YS1500, YS170/YS1700 cascade mode	LS1, PV1, SV1, MV1	MH1, ML1, PB1, TI1, TD1
YS170/YS1700 user-programmable mode (BSC1 or SSC)	LS1, PV1, SV1, MV1	Y04, Y05, Y06, MH1, ML1, PB1, TI1, TD1, P01, P02
YS170/YS1700 user-programmable mode (CSC)	LS1, PV1, SV1, MV1	Y04, Y05, Y06, MH1, ML1, PB1, TI1, TD1, P01, P02
YS135/YS1350	LS1, PV1, SV1	None
YS136/YS1360	LS1, PV1, MV1	MH1, ML1

*1: The scan speed of the slow-scan data is described by the fast-scan data speed x n. The figure "n" can be specified within the range of 0-20 by the builder function for each ALR121 port. The default value is set as 0, which is equivalent to x8 of the fast-scan speed.

Table YS Instruments Data and Function Block Data Item

YS instruments data	Function block data item
LS1	LOOP
PV1	PV
SV1	SV
MV1	MV
MH1/MH2	MH
ML1/ML2	ML
PB1	P
TI1	I
TD1	D
Y04	AUX1
Y05	AUX2
P01	BS
P02	CS

No. of connected YS instruments = 20 units (10 units x 2 ports) / ALR121.

● **YS Communication (for ALR121 only)**

Connected device: SCIU Communication Interface Unit
 Connection method: ALR121 communication port and YS instruments
 (YS1000 SERIES, YS100 SERIES, and YEW SERIES80) are connected via SCIU.

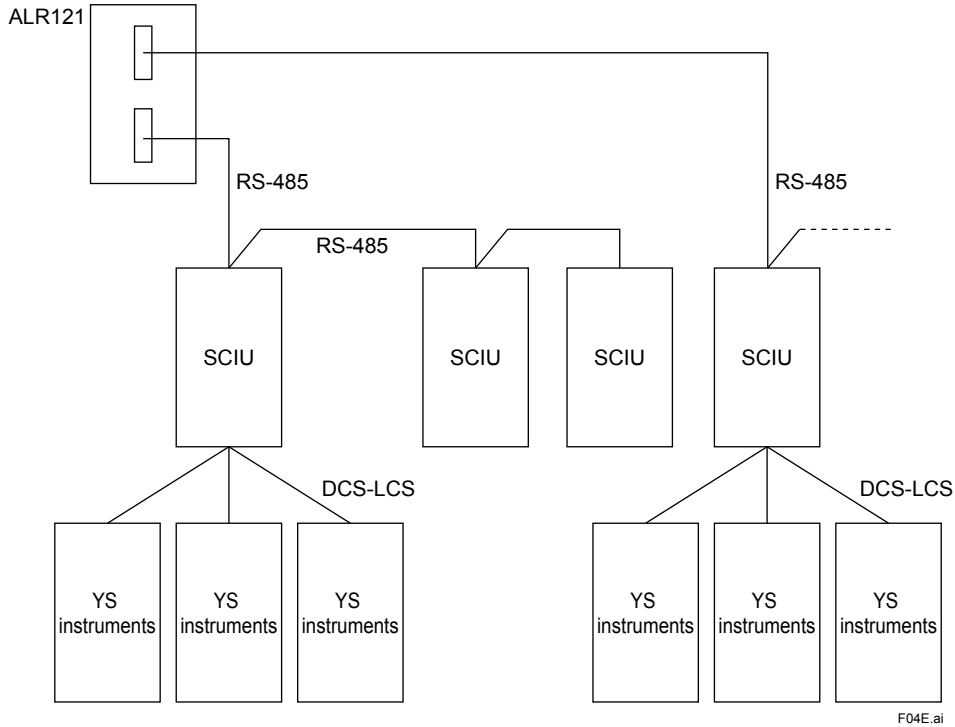


Figure Hardware Connection Diagram

Table List of Applicable YS Instruments and Data Types

YS instruments	Fast-scan data	Slow-scan data (*1)
SLCD	LS, PV, SV, MV	MH, ML, P, I, D
SLPC, YS170/YS1700, YS150/YS1500	LS, PV, SV, MV	AUX1, AUX2, AUX3, MH, ML, P, I, D, BS, CS
SLMC	LS, PV, SV, MV	AUX1, AUX2, AUX3, MH, ML, P, I, BS, CS
SMST-111, YS135/YS1350	LS, PV, SV	-
SMST-121, YS136/YS1360	LS, PV, MV	MH, ML
SMRT	LS, PV, SV, MV	CALC, DL, MH, ML, P1, P2, P3, P4, EB
SBSD	LS, PV, SV, MV	VL, SUM, PH, PL, CC1, CC2/CC4, CC3, BSET
SLCC	LS, PV, SV, MV	SUM, DV, CC1, CC2/CC4, CC3
SLBC	LS, PV, SV, MV	VL, SUM, PH, PL, CC1, CC2/CC4, CC3, BSET
STLD	LS, PV	SUM, CC1, CC2/CC4, CC3

*1: The scan speed of the slow-scan data is described by the fast-scan data speed x n. The figure of "n" can be specified within the range of 0-20 by the builder function for each ALR121 port. The default value is set as 0, which is equivalent to x8 of the fast-scan speed.

The maximum number of YS instruments to be connected with ALR121 is as shown below.

- No. of SCIU: 20 units (10 units x 2 ports)/ALR121
- No. of YS instruments to be connected with SCIU: 4 units/SCIU
- No. of YS instruments: 20 units (10 units x 2 ports)/ALR121

● **SLC Communication**

Connected device: 1785-KE, 1770-KF2 (SLC500 link module)
 Connection method: Connect ALR111 or ALR121 communication port with SLC500 link module
 Applicable device: SLC500 CPU module
 SLC500, SLC5/01, SLC5/02, SLC5/03, SLC5/04
 Transmission protocol: DF1 protocol (binary)
 No. of subsystem stations: Max. 30 stations/port

Table List of Accessible Files

File type	File name	Communication capacity (per communication)	Read	Write
Word file	Bit file (*1)	115 words	Y	Y
	Timer file		Y	Y
	Counter file		Y	Y
	Control file		Y	Y
	Integer file		Y	Y

Y: Applicable
 N: Not applicable
 *1: Access to the bit files in units of words.

● **PLC-5 Communication**

Connected device: 1785-KE, 1770-KF2 (PLC-5 link module)
 Connection method: Connect ALR111 or ALR121 communication port with PLC-5 link module (*1)
 Applicable device: PLC-5 family
 Transmission protocol: PLC-5 family dedicated protocol (half-duplex protocol)
 No. of subsystem stations: Max. 30 stations/port

*1: It is only 1 to 1 connection for ALR121.

Table List of Accessible Files

File type	File name	Communication capacity(per communication)	Read	Write
Bit file	Output image file	16 words (256 points)	Y	N
	Input image file		Y	N
	Status file		Y	N
	Bit file		Y	Y
Word file	Timer file	114 words	Y	Y
	Counter file		Y	Y
	Control file		Y	Y
	Integer file		Y	Y
	Floating-point numbers file		Y	Y

Y: Applicable
 N: Not applicable

■ DUAL-REDUNDANCY OF COMMUNICATION

● Functional Overview

When the communication function complies, the dual-redundant configuration (*1) can be provided by setting the serial communication modules to dual-redundant.

Each of the ALR111 and ALR121 modules has two ports; however, the dual-redundant communication requires two communication modules.

The two sets of dual-redundant communication are enabled by two ports of ALR111/ALR121; however, the communication control is defined by each communication module. When one of the communication ports detects an error, both ports switch over the control/stand-by sides to the redundant module.

Note that the one-shot write specification cannot be used when dual-redundant communication is set.

*1: Refer to "Table Communication Functions Communication Modules."

● Data Input Flow

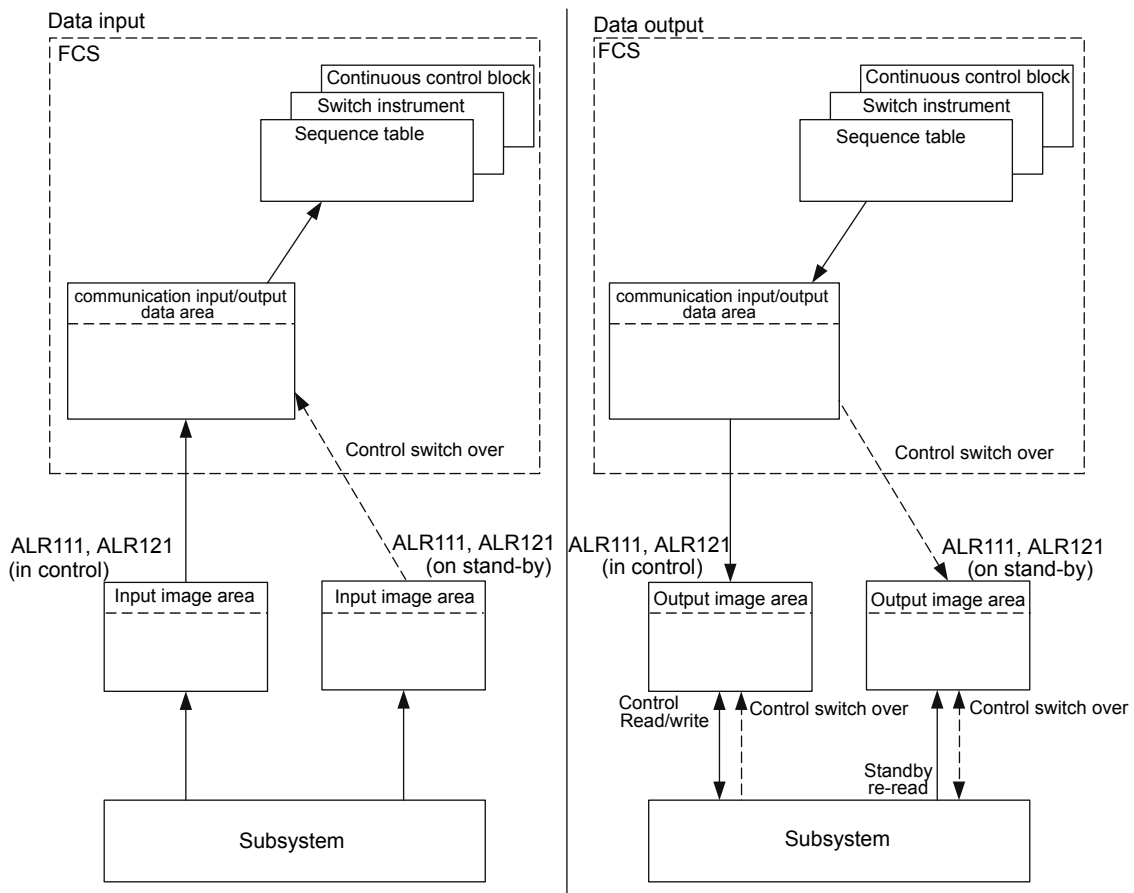
Each of the two ALR111/ALR121 modules communicates with the subsystem and reads the subsystem input image data into the module. An FCS accesses the control communication module to read and use these data; however, it does not access the standby communication module. When the FCS detects a control communication module error or subsystem communication failure, the FCS switches its control to the standby module from which to read data.

● Data Output Flow

A control communication module outputs data to a subsystem. The control communication module writes data to the subsystem at the specified intervals when an FCS sets the data in it.

Meanwhile, the standby communication module re-reads and retains the output image data when it accesses the subsystem at the specified interval. This equalizes the data between the control and standby communication modules.

When an error is detected, the FCS switches its control to the stand-by module through which the FCS continues to output data to the subsystem.

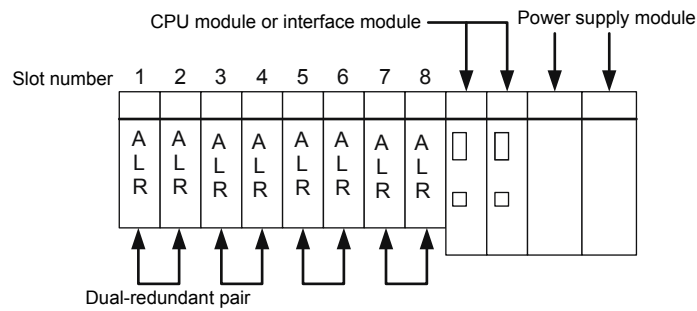


F05E.ai

Figure Data Flow in Dual-redundant Configuration

● **Hardware configuration**

Set two of the identical modules in adjacent (even and odd-numbered) slots on the same node unit.

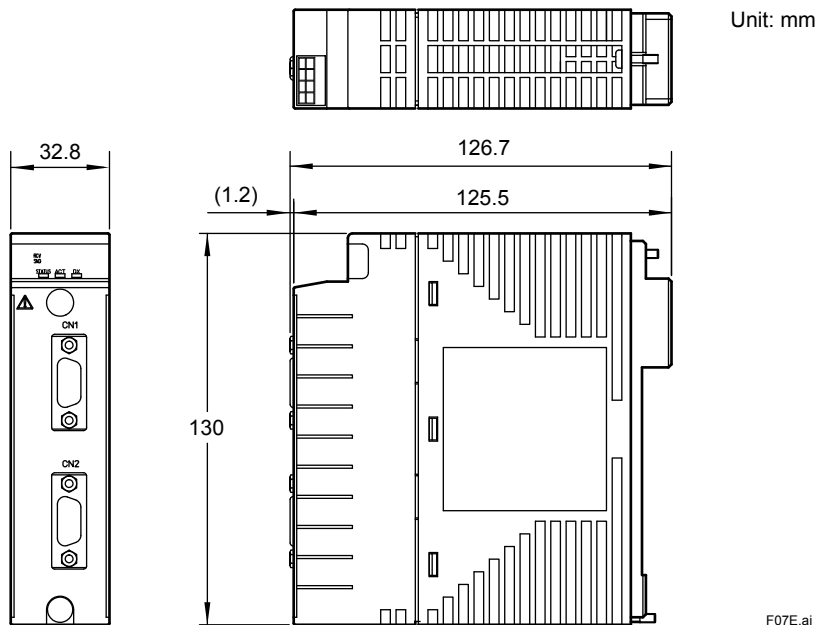


F06E.ai

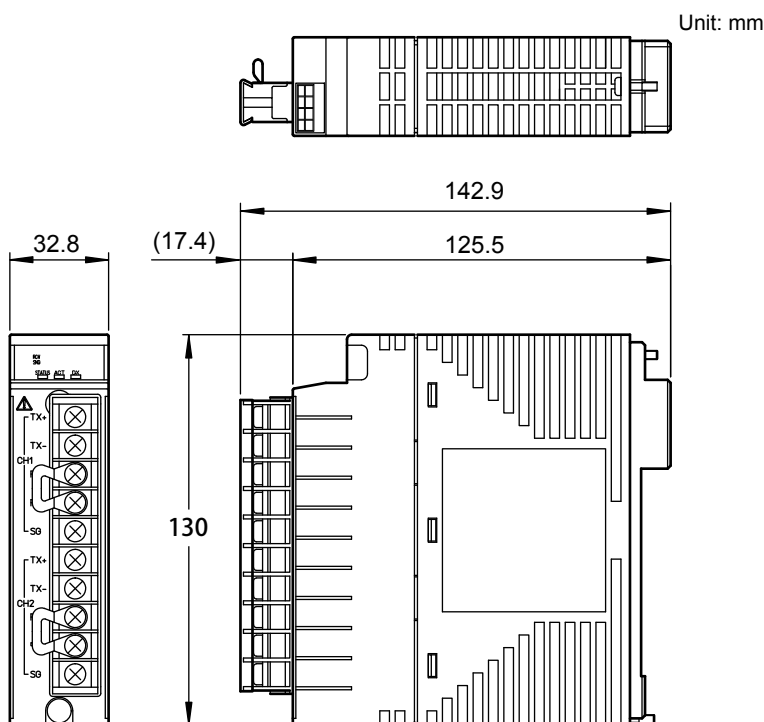
Figure Hardware Configuration for Dual-redundant

■ **EXTERNAL DIMENSIONS**

● **ALR111 Serial Communication Module (RS-232C)**



● ALR121 Serial Communication Module (RS-422/RS485)



F08E.ai

■ MODEL AND SUFFIX CODES

Model		Description
ALR111		Serial Communication Module (RS-232C, 2 port)
Suffix Codes	-S	Standard type
	5	With no explosion protection
	E	With explosion protection
	0	Basic type
	1	With ISA Standard G3 option

Model		Description
ALR121		Serial Communication Module (RS-422/RS-485, 2 port)
Suffix Codes	-S	Standard type
	5	With no explosion protection
	E	With explosion protection
	0	Basic type
	1	With ISA Standard G3 option

■ ORDERING INFORMATION

Specify the model and suffix codes.

For selecting the right products for explosion protection, please refer to TI 33Q01J30-01E without fail.

■ TRADEMARKS

- CENTUM, YEWSERIES80, YS100 and YS1000 are registered trademarks of Yokogawa Electric Corporation.
- STARDOM is a trade mark of Yokogawa Electric Corporation.
- Modicon and Modbus are registered trade marks of Schneider Electric.
- Memocon is a registered trade mark of Yasukawa Electric Co., Ltd.
- SLC, PLC-5, and Allen-Bradley are trade marks or registered trade marks of Rockwell Automation, Inc.
- MELSEC is a registered trade mark of Mitsubishi Electric Co., Ltd.
- Other product and company names appearing in this document are trademarks or registered trademarks of their respective holders.